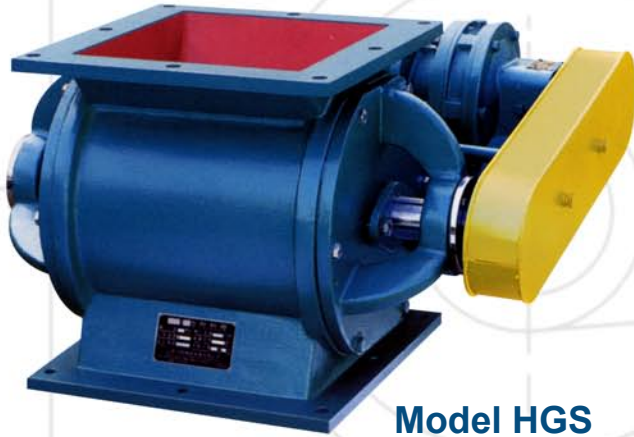


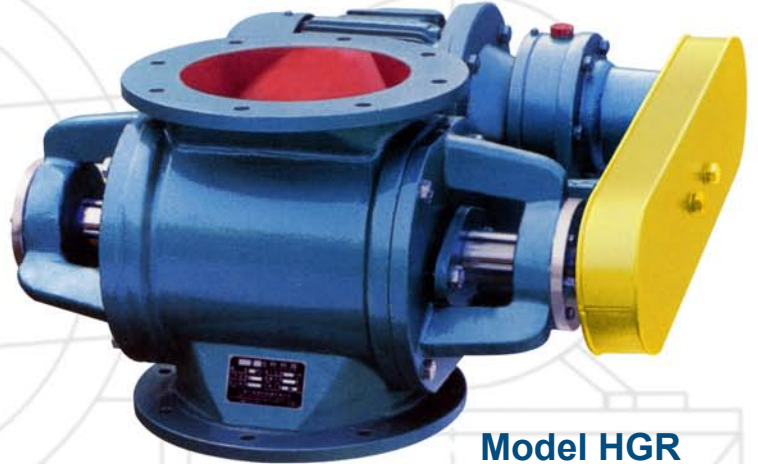


International Baghouse Supply

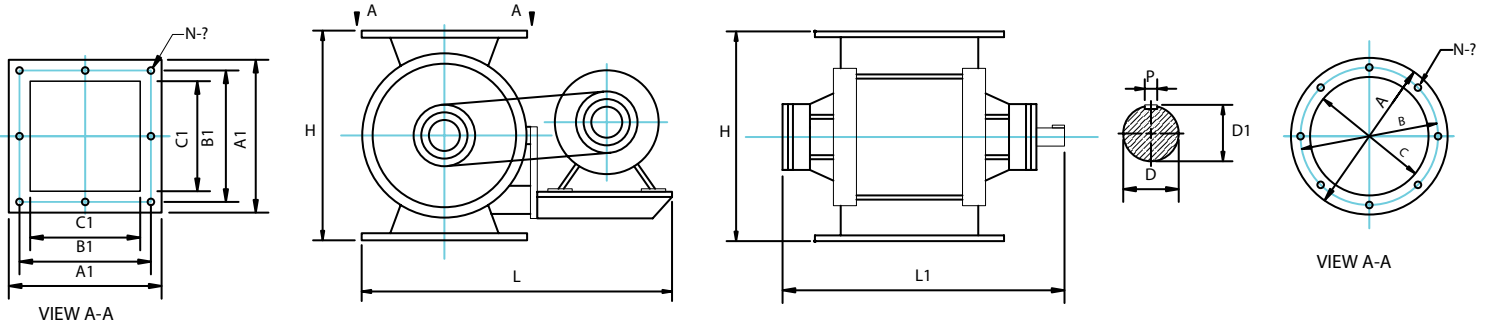
Rotary Airlock



Model HGS



Model HGR



Model	Volume / Rotation		Motor	RPM	Temp°	Weight	Dimensions (ϕ = diameter)													
	Liter	Lbs/cuft	HP	r/min	°F	Kg	ϕ A	ϕ B	ϕ C	A1	B1	C1	H	L	L1	N	ϕ D	D1	P	N - ϕ
6	2	0.07	0.75	24	≤ 550	95	240	200	150	240	200	150	240	510	500	35	30	33	10	8- ϕ 11
7	4	0.14	0.75	24	≤ 550	110	280	240	180	280	230	180	280	535	545	35	30	33	10	8- ϕ 13
8	6	0.21	0.75	24	≤ 550	120	300	260	200	290	250	200	300	555	565	35	30	33	10	8- ϕ 13
9	8	0.28	1	24	≤ 550	150	320	280	220	320	270	220	320	655	585	35	30	33	10	8- ϕ 13
10	10	0.35	1.5	24	≤ 550	170	340	300	240	340	290	240	340	675	626	55	35	38	10	8- ϕ 15
11	12	0.42	1.5	24	≤ 550	180	360	320	260	350	310	260	360	695	645	55	35	38	10	8- ϕ 15
11	14	0.49	1.5	24	≤ 550	190	380	340	280	380	330	280	380	715	665	55	35	38	10	8- ϕ 18
12	16	0.56	1.5	24	≤ 550	210	400	360	300	400	350	300	400	735	685	55	35	38	10	8- ϕ 18
13	18	0.63	2	24	≤ 550	245	420	380	320	420	370	320	420	755	705	55	40	43.5	12	8- ϕ 18
14	20	0.70	2	24	≤ 550	260	440	400	340	440	390	340	440	775	725	55	40	43.5	12	8- ϕ 18
16	26	0.92	2	24	≤ 550	370	500	460	400	510	450	400	520	890	830	60	45	48.5	14	8- ϕ 18
18	30	1.06	3	24	≤ 550	385	540	500	440	540	490	440	560	930	850	60	45	48.5	14	8- ϕ 18
19	40	1.41	4	24	≤ 550	585	610	560	480	600	550	480	620	980	1005	91	55	59	16	16- ϕ 18
20	60	2.12	5.5	24	≤ 550	620	660	610	500	660	610	500	680	1020	1040	91	55	59	16	16- ϕ 18
22	80	2.82	5.5	24	≤ 550	710	670	620	540	670	620	540	720	1130	1065	91	55	59	16	16- ϕ 18
24	100	3.53	7.5	24	≤ 550	920	740	680	600	730	680	600	800	1200	1145	91	65	69	18	16- ϕ 18
34	250	8.83	7.5	24	≤ 550	1150	1060 x 900		960 x 800		860 x 700		1000	1350	1405	91	65	69	18	22- ϕ 20

This valve may be designed and fabricated according to user's requirements.